

EverGreen Water Softening System

An Environmentally-friendly, Sustainable Solution with a Lifetime Guarantee

EverGreen is the only system on the market whose solid, internal actuators are designed to stay in service forever! It's the customer's choice for high performance, the Earth's choice for sustainability, and the plumber's choice for low-maintenance operation.

The Secret is Inside

EverGreen features the most robust valve on the market, with superior construction and features. It's designed to stay in service and out of the landfill.

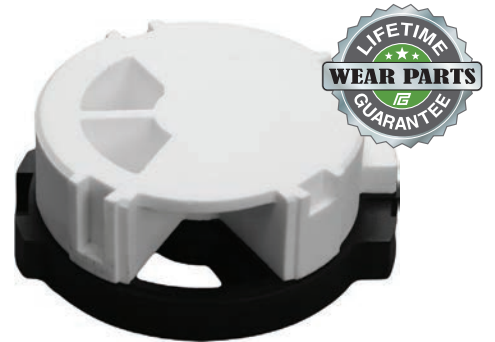
- **Made of Corundum ceramic and graphene** (200x stronger than steel!) with no wear parts to service or replace
- **Hermetically sealed parts** for impregnable resistance to corrosion, wear, or tear
- **Maintenance-free actuators**
- **Lifetime guarantee on internal ceramic and graphene parts**



Water Softening for the Next Generation

Designed with the Earth and the customer in mind, EverGreen uses an environmentally-friendly, upflow regeneration process and specialty uniform medium. It outperforms the competition in every way...

- 75% less salt
- 75% less water
- 100% fewer wear parts to replace
- 100% fewer spare parts in the landfill



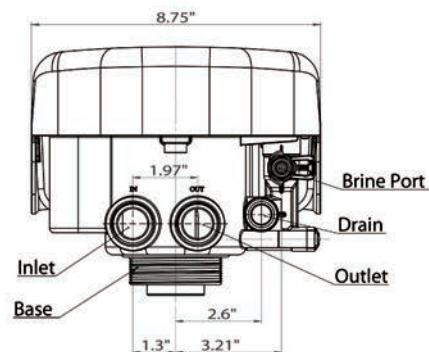
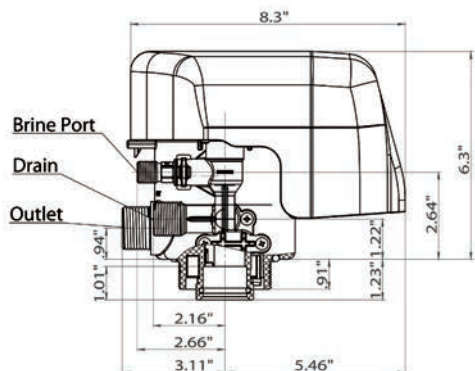
Smart Controls Increase Efficiency

- Bright, easy-to-read LCD display
- Long-term memory for program functions
- Memory backup (for power outages)
- External control not required for multiple system configurations or external devices
- Programmable in English, Spanish, Chinese, and French
- Options to minimize water usage, including:
 - Pre- and post- backwash and brine fill
 - Meter and timer capabilities
 - Maximum day override
 - External brine motor
 - External device control with additional relay
 - Remote handling port for regeneration input
 - Programmable company info for end user use



For more information on the EverGreen Water Softening System, contact Pargreen today for the dealer nearest you.

EverGreen Water Softening System



EverGreen System Specifications

| Model* | Resin Cubic Feet | Overall Height Inches | Diameter Inches | Flow Rate Gallons Per Minute ₁ | Water (Gallons) Used Per Regeneration ₂ | Ultra High Efficiency | High Efficiency |
|---------|------------------|-----------------------|-----------------|---|--|--|-------------------------------|
| | | | | | | Grains Exchanged Per lb. Salt ₃ | Grains Exchanged per lb. Salt |
| SSG48 | 1 | 54.7 | 9 | 16 | 46 | 4,000 to 5,000 | 3,111 |
| SSG54 | 1.5 | 60.9 | 10 | 18 | 58 | 4,000 to 5,000 | 3,111 |
| SSG52 | 2 | 59.0 | 12 | 20 | 84 | 4,000 to 5,000 | 3,111 |
| SSG1354 | 2.5 | 61.4 | 13 | 22 | 96 | 4,000 to 5,000 | 3,111 |
| SSG1465 | 3 | 72.2 | 14 | 24 | 113 | 4,000 to 5,000 | 3,111 |
| SSG1665 | 4 | 72.1 | 16 | 26 | 148 | 4,000 to 5,000 | 3,111 |

* Additional Sizes Available

1 - Flow Rate at 25 PSI Drop

2 - Usage Based on Water Supply Quality; Usage \pm 25%

3 - Salt Efficiency Subject to Water Quality

Electrical / Operational Specifications

| Control Valve | | Working Conditions | |
|--------------------|---------------|-----------------------------|----------------|
| Transformer Input | 120VAC - 60Hz | Water Pressure | 20 - 120 PSI |
| Transformer Output | 12VDC - 2A | Water Temperature | 35°F - 125°F |
| Valve Wattage | 24W | Hardness Level ₄ | 3 to 50 Grains |

4 - For Water Hardness Over 50 Grains, Contact PWT Technical Support

Control Valve Parameters

| Inlet | Outlet | Drain ₅ | Brine Line | Base | Riser Tube | Hard Water Bypass |
|-------|--------|--------------------|------------|--------------|------------|---------------------------|
| 1" | 1" | 1/2" Barb | 3/8" | 2.5" - 8NPSM | 1-1/4" | Yes - During Regeneration |

5 - Drain Connection Also 3/4" MNPT

Additional Specifications

| Valve Material | Tank Material | Meter Accuracy | Clock |
|----------------|---------------|----------------|--------------------------------|
| Noryl® | FRP | \pm 5% | 12 Hour - with Battery Back-up |