

## EverGreen Plus Iron Solutions

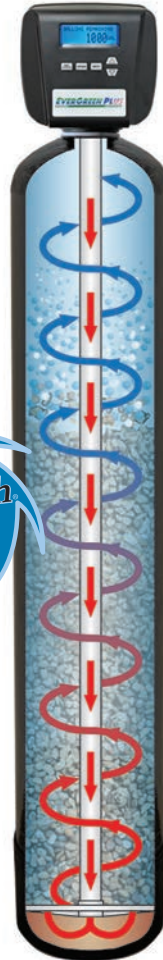
### Featuring Integrated Air Scour for Cleaner Media and Lower Waste

The **EverGreen Plus Iron Solutions** are premium, USA-made filtration systems engineered to deliver advanced iron, manganese, and hydrogen sulfide removal through optimized oxidation and regeneration processes. These systems utilize a **proprietary, fully programmable control valve**, allowing precise management of regeneration parameters to match treatment demands while minimizing water and energy use.

During backwash, an integrated **air scour cycle** aggressively fluidizes the media bed, improving debris removal and recharging oxidation catalysts with free oxygen—**reducing water-to-drain volumes by over 30%**. Optional **ozone injection** provides an additional oxidative and biocidal boost to support long-term media performance. The combination of precise control, efficient bed cleaning, and targeted oxidation results in a more sustainable, performance-driven solution for well water applications.

### Features

- **Proprietary Control Valve** – Fully programmable system cycles and regeneration parameters
- **Air Scour Regeneration** – Enhanced bed agitation improves cleaning and oxygen recharge while reducing water waste
- **Optional Ozone Integration** – For advanced oxidation and media sanitization during regeneration
- **Vortech™ Tank Technology** – Reduces backwash water usage and time by over 30%
- **Engineered for Residential and Light Commercial Well Water Applications** – Configurable to meet varying contaminant loads
- **Multiple Media Configurations** – Targeting iron, manganese, and H<sub>2</sub>S to match the needs of each application



### Benefits

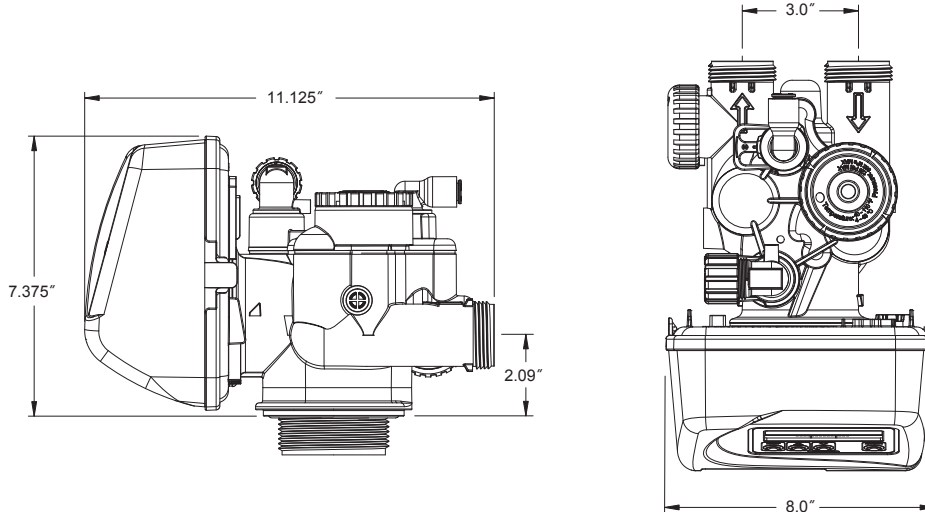
- ✓ Enhanced iron and manganese reduction
- ✓ Lower backwash flow requirements
- ✓ Improved media longevity and system performance
- ✓ Supports sustainable water use – less waste to drain
- ✓ Intuitive system monitoring and programming
- ✓ Optional disinfection with integrated ozone

### Applications

- Residential well water systems
- Light commercial systems with low to moderate iron loads
- Ideal for retrofit or new installs where efficiency and flexibility are key
- **Sized and designed to meet your exact application**



## EverGreen Plus Iron Solutions



### EverGreen Plus Iron Series System Specifications

Model Number	Media	Cu Ft	Tank Size	Standard Flow (GPM)	High Flow (GPM)	Backwash (GPM)
UFV1054-100-CP-ASC	Cerapure MAC	1.0	10 x 54	5.5	8.3	3.2
UFV1252-100-CP-ASC	Cerapure MAC	1.5	12 x 52	8.3	12.5	5.3
UFV1354-100-CP-ASC	Cerapure MAC	2.0	13 x 54	11.0	16.5	6.5
UFV1054-100-GSP-ASC	Greensand Plus	1.5	10 x 54	8.2	12.3	4.2
UFV1252-100-GSP-ASC	Greensand Plus	2.0	12 x 52	10.7	16.0	5.3
UFV1354-100-GSP-ASC	Greensand Plus	2.5	13 x 54	13.4	20.1	7.5
UFV1054-100-FOX-ASC	Filter-Ox	1.5	10 x 54	8.2	12.3	6.5
UFV1252-100-FOX-ASC	Filter-Ox	2.0	12 x 52	10.7	16.0	10.0
UFV1354-100-FOX-ASC	Filter-Ox	2.5	13 x 54	13.4	20.1	11.0
UFV1054-100-FC-ASC	Redox Catalyst	1.5	10 x 54	4.5	6.8	1.7
UFV1252-100-FC-ASC	Redox Catalyst	2.0	12 x 52	6.0	9.0	2.2
UFV1354-100-FC-ASC	Redox Catalyst	2.5	13 x 54	7.5	11.3	2.7
UFV1465-100-FC-ASC	Redox Catalyst	3.0	14 x 65	9.0	13.5	3.2

*All flow rates calculated using manufacturer-published performance data and standard hydraulic loading factors. System performance is media- and water-quality dependent.*

### Need Help Selecting a System?

An accurate water analysis is the best first step.

Contact your local **EverGreen Plus Dealer** to match the right media and configuration for your specific water conditions.