

## EverGreen Plus Softening Solutions

The **EverGreen Plus** are premium, USA-made water softening solutions engineered for top-tier performance and efficiency. **Its proprietary, fully programmable controller** offers unmatched flexibility, allowing precise adjustments to salt usage based on your specific water conditions. Using **intelligent regeneration technology**, the EverGreen Plus **monitors water usage patterns** and optimizes its cycles accordingly—minimizing salt and water waste without compromising performance. The **result is a smarter, more efficient softening solution** that provides consistent, high-quality water while reducing environmental impact and lowering costs.

### Features

- **Upflow Regeneration**
- **Proportional Brining Technology** – Enhances salt efficiency by adjusting brine usage based on water consumption trends
- **Vortech™ Tank Technology** – Reduces backwash water usage and time by over 30%
- **Advanced Programmable Controller** – Customizable regeneration cycles and day override options
- **Twin Alternating Duplex**
- **Progressive Flow Multi-System (Up to 4 Units)**
- **Dual Onboard Relays** – Allows external device activation and system integration
- **Battery Backup and Non-Volatile Memory** – Maintains programming and time settings even in power outages
- **Multi-Color Dot Matrix Display** – Differentiates service mode, programming, and error alerts, with an energy-saving automatic backlight shutoff
- **Custom Dealer Contact Screen**



### Benefits

- ✓ **Exceptional Water Softening Performance** – Reduces scale buildup on plumbing, appliances, and fixtures for longer-lasting efficiency
- ✓ **Increased Efficiency and Savings** – Uses only the necessary amount of salt and water, lowering operational costs
- ✓ **Eco-Friendly Operation** – Reduces chloride discharge, helping meet municipal regulations
- ✓ **Smart System Monitoring** – Advanced regeneration tracking optimizes performance with minimal waste
- ✓ **User-Friendly Interface** – Intuitive controls and display simplify operation and maintenance

For more information on the EverGreen Plus Softening Solution, contact Pargreen today for the dealer nearest you.



## EverGreen Plus Softening Solutions

Cycles ..... 3 to 6  
 Valve Material ..... Noryl<sup>1</sup>

### FLOW RATES

Service @ 15 psi drop (includes bypass and meter) ..... 27 gpm  
 Backwash @ 25 psi drop (includes bypass and meter) ..... 27 gpm  
 Cv Service ..... 7.0  
 Cv Backwash ..... 5.4

### OPERATING PRESSURES

Minimum/Maximum ..... 20 psi – 125 psi

### OPERATING TEMPERATURES

Minimum/Maximum ..... 40° – 110°F  
 Regeneration ..... Upflow

### METER

Accuracy ..... ± 5%  
 Flow Rate Range ..... 0.25 – 27 GPM  
 Gallon Range ..... 20 – 50,000

### DIMENSIONS and WEIGHT

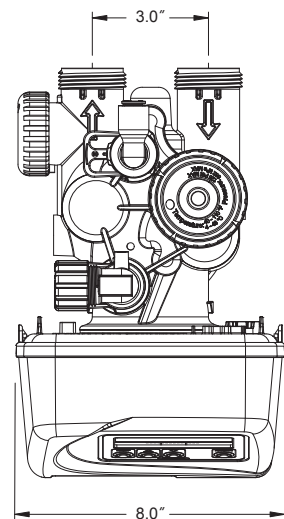
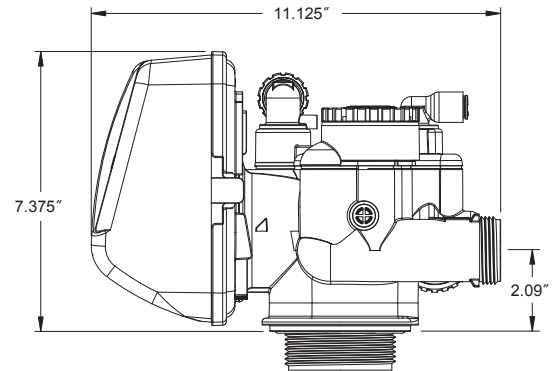
Distributor Pilot ..... 1" (1.050) OD Pipe  
 Drain Line ..... 3/4" or 1" NPT  
 Brine Line ..... 3/8" or 1/2" OD Poly Tube  
 Mounting Base ..... 2 1/2" – 8 NPSM  
 Height From Top of Tank ..... 7 3/8"  
 Weight ..... 4.5 lbs.  
 Current Draw and Voltage ..... A 110v

### TANK APPLICATIONS

Water Softener ..... 8" – 13" Diameter  
 Water Filter (2) ..... 8" – 13" Diameter

### CYCLES OF OPERATION (Upflow Softener)

Cycle	Range of Time in Minutes
1. Proportional Pre-Fill Brine	Variable
2. In Service — Brine Solution Preparation	240
3. Upflow Brine Draw / Slow Rinse	60
4. Backwash	8
5. Fast Rinse	6
6. Service	



**Options:** Backwash Filter, 3/4" and 1" inlet/outlet, Bypass, Weather Cover

Compatible with the following regenerants or chemicals: sodium chloride, potassium chloride, potassium permanganate, sodium bisulfite, sodium hydroxide, hydrochloric acid, chlorine and chloramines.

<sup>1</sup>Noryl is a trademark of General Electric